

The features you want, the quality you demand for everyday imaging excellence.



VetVision
Intraoral Veterinary Dental X-ray



VetVision redefines AC technology with the perfect balance of imaging excellence, simple, efficient operation and smart good looks.

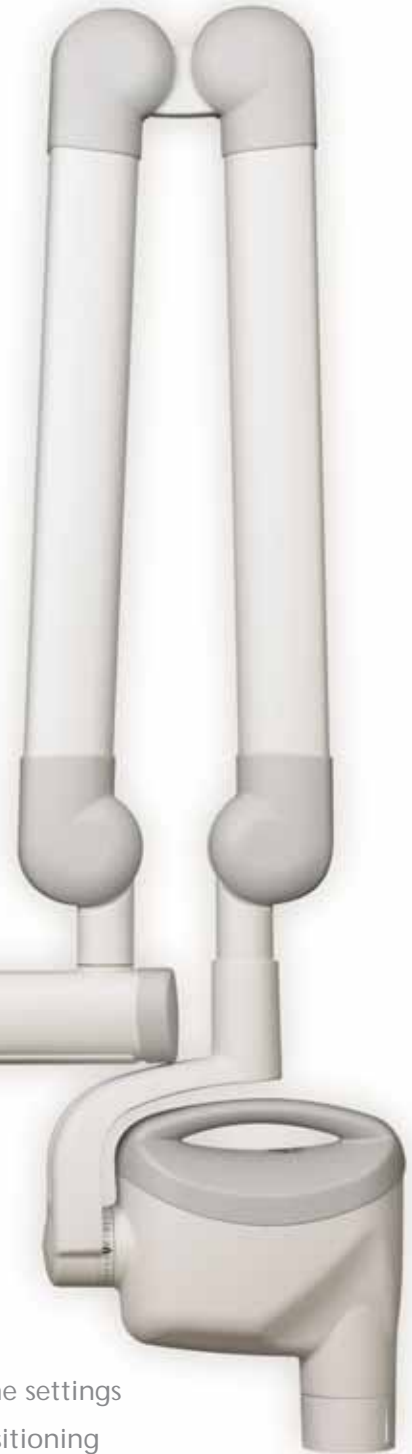
Microprocessor controls and our advanced pre-heat feature make VetVision the imaging foundation of today's veterinary dental practice—ideal for standard and high speed films and optimized for today's digital receptors. It's a new generation of dental imaging brought to life in an intraoral x-ray system that is smarter, more reliable and easier to use.

VetVision



All the features you need for everyday imaging excellence

- 70 kVp and 7 mA
- 0.7 mm focal spot
- Large, easy to understand icons
- 30 Pre-programmed techniques
- Manually selectable time settings
- Effortless, drift-free positioning
- Unique tube head handle
- Compatible with film, sensors and phosphor plates



Intuitive and Efficient Operation

Easy to understand icons and 24 pre-programmed anatomical technique settings ensure instant proficiency for every user. Time settings can be selected according to individual preferences using the keys on the control panel and stored into memory for future use. The sleek control panel can be removed from the power base and mounted in another area in or outside of the operatory.



Sophisticated materials and design provide unprecedented quality and stability



High-tolerance, frictionless joints provide amazingly smooth and effortless arm movement. Add Progeny's heavy-duty, dual braking system for dependably precise and stable positioning for years to come. VetVision is available with a 56", 66" or 76" arm length or as a mobile system.

Digital Imaging at its best

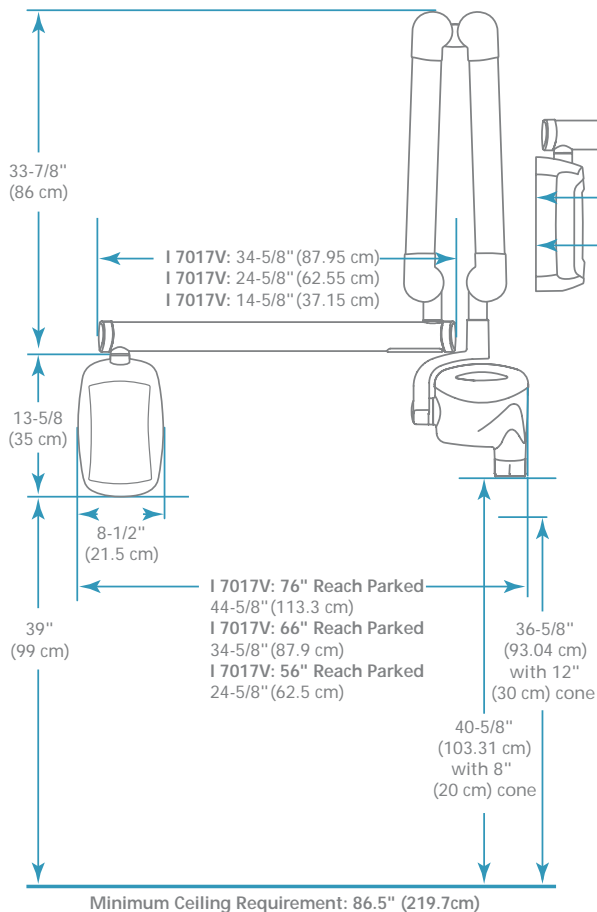
VetVision and Progeny's Digital Sensor System provide instant, filmless images. CCD technology (the gold-standard of medical and dental imaging), 16-bit image acquisition and AutoGain provide detailed images in 3—6 seconds. Progeny Digital Sensors can be installed using USB or Ethernet connections. Size 2 and Size 1 sensors available.



VetVision Mobile System

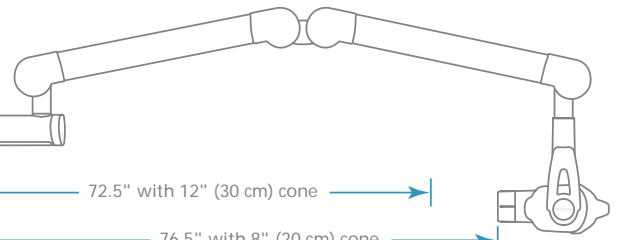
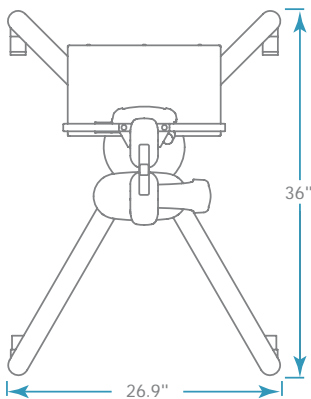
- 3.5" heavy duty wheels and two brake locks make movement easy and stability assured
- Base fits snugly under operatory tables and can be rotated 360 degrees for easy repositioning
- Only 26.9" wide
- UL tested and approved





Mobile

Base: 26.9" w x 36" l (68.3cm x 91.4cm)
Height: 76.9" (195.3cm)
Arm reach: 56" (142.2cm)



VETVISION SPECIFICATIONS

Line Voltage	A. 120 VAC +/- 10% 50-60 Hz B. 230 VAC +/- 10% 50-60 Hz
Line Load	A. Maximum current 10 amps B. Maximum current 6 amps
Tube Potential	70 kVp
Tube Current	7 mA
Exposure Time	50 ms through 1.65 seconds
Cone Length	20 cm (8 inches)
Minimum Inherent Filtration	2 mm Al equivalent
Focal Spot	0.7 mm (IEC 336)
Duty Factor	1:30 at 70kVp
Shipping Weight	95 lbs. (wall mount) 239 lbs. (mobile)
Applicable Documents Federal Regulations	21 CFR, UL, CE 0120
Warranty	2 Years, Limited
Options	Exposure hand switch 12" Cone 8" Rectangular cone Choice of 56", 66" or 76" (total reach) Two stud mounting plate Metal stud mounting plate

Specifications subject to change without notice



More Than Imaging. Excellence.

Progeny Dental

1407 Barclay Boulevard ■ Buffalo Grove, IL 60089 USA
PHONE (888) 924-3800 ■ (847) 850-3800 ■ FAX (847) 459-5175

www.progeny dental.com

©Copyright 2006 Progeny Inc. All rights reserved.

Made in the USA

For more information, contact your Progeny representative today.

V100-706-2